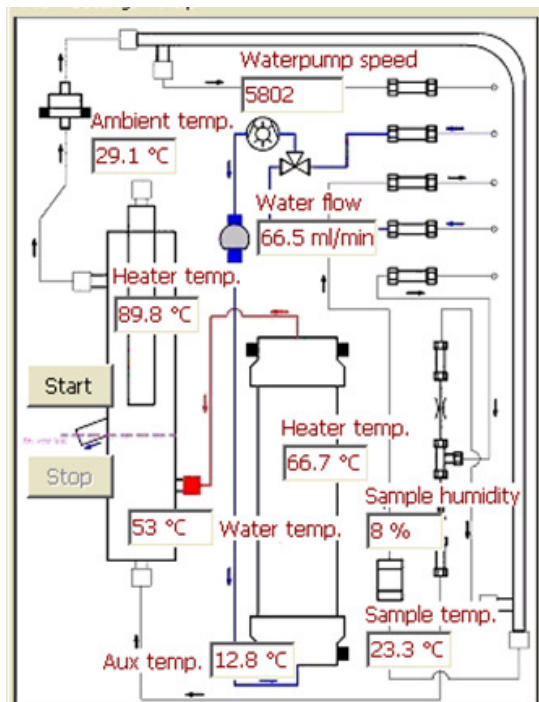
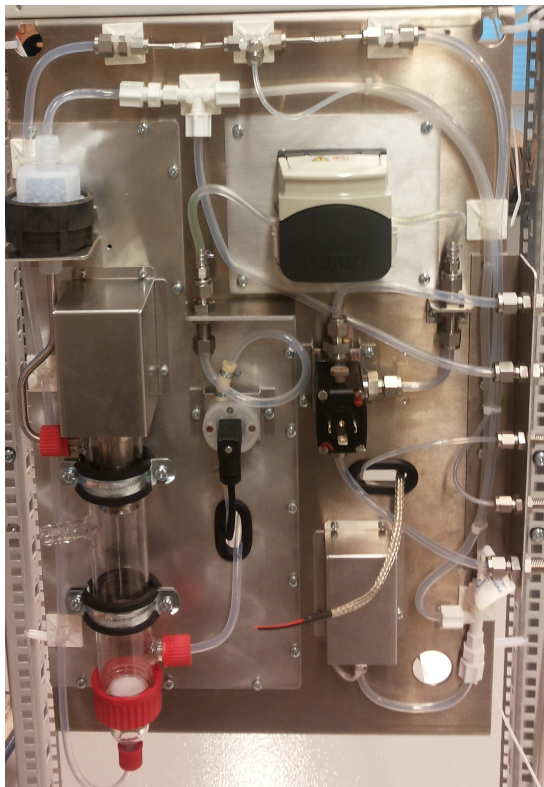


WPU

SYNTECH WATER PURGE UNIT for toxic VOC in water



Water Purge Unit

A purge and trap unit is now available for the separated individual measurement of volatile organic hydrocarbons in water in combination with the full range of synspec gas chromatography systems.

The purge and trap unit has been developed to strip Volatile Organic Compounds with air or nitrogen from water for the continuous qualitative and quantitative determination of up to 40 types of hydrocarbons.

Applications

Three main applications are: monitoring industrial waste water, monitoring for control by authorities of drinking, surface and ground water and monitoring during cleaning of contaminated soil:

1. Control of raw and of cleaned industrial waste water before transferring it further to be certain that the water is not contaminated. In this way pollution of rivers etc. can be prevented.
2. Measurement of water quality in surface and ground water to ascertain its quality for many purposes.
3. Determining the quality of ground water layers: this either near contaminated soil sites or during the clean-up process of the soil, where water is often used to remove hydrocarbon contamination.

In the above mentioned cases the monitor water samples can be analysed in a laboratory. This process is however time consuming and expensive. With online measurements you can react immediately if alarm values are exceeded.

HYDROCARBON SELECTION

The hydrocarbons that are important to measure are toxic or carcinogenic.

Aromates: a.o. BTEX (Benzene, Toluene, Ethylbenzene, Xylenes) in combination or as single as compounds.

Chlorinated compounds: chloroform, trichloroethene, tetrachloroethene, tetrachloromethane, 1,2-dichloroethane.

The lowest detection limits are below 1 µg/l.

Water temperatures used are slightly above room temperature, water flow from 3 to 30 l/hr.

CONFIGURATION OF THE WATER PURGE UNIT:

An external pump unit (either already provided by the user or by Synspec) pumps the water from the source. A second bypass pump ascertains a water sample without particles that passes to the purge unit. The sample is heated to a stable temperature. By purging clean air through this sample only the hydrocarbons are stripped from the water layer. Fine particles, salts, soaps and high boiling oils remain in the water layer.

The purge air flow is regulated up to 300 ml/min from a water flow with a capacity from 3 to 30 l/h.

The system has a foam destroyer to avoid foam entering the GC. The WPU is controlled by the computer in the GC.

GAS CHROMATOGRAPH:

The full range of the gas chromatographs from Synspec can be used for the analysis: the sample can be analysed for total hydrocarbons in a Synspec Alpha, for one specific hydrocarbon in a Synspec Delta with loop: these applications have detection limits ranging from 30 to 50 ppb. And with the Syntech Spectras gas chromatograph with trap up to 40 compounds can be measured with the lowest detection limits below 0,1 ppb. Cycle times depend on the application from 2 to 30 min. For the gas chromatograph options separate data sheets are available.



	Technical details
Size	H 75 cm, Width 40 cm (fits 19" rack), D 21 cm
Power consumption	230V/6A or 115V/12A
Flow of water	100 – 500 ml/min
Flow of purging air	50 to 300ml/min at 4 bar, zero air generator as option available.
Water conditions	5 – 50 °C, cooling optional Freeze protection required
Environmental conditions	Temperature 5 – 40 °C, relative humidity 20 – 95% rH
Water (pre)filters	Depends on sample, sand filter, cyclone filter Entrance filter 250 um
Filter cleaning	Drinking water once a month, other depending on water particle content
Mounting	On wall or in rack, rear access is not needed
AC Power	220VAC 50/60 Hz or 110VAC 50/60 Hz
Recommended Analyzers	Syntech Spectras GC955 or Synspec Alpha and Delta line, internal computer GC controls WPU

